



Andy Beshear
GOVERNOR

TRANSPORTATION CABINET

200 Mero Street
Frankfort, Kentucky 40601

Jim Gray
SECRETARY

March 20, 2023

CALL NO. 413
CONTRACT ID NO. 237004
ADDENDUM # 1

Subject: Letcher-Knott Counties, 121GR23M030 (FD51)
Letting March 23, 2023

- (1) Revised - Projects - Page 4 of 99
- (2) Added - Special Note - Pages 40A-40B of 99
- (3) Revised - Proposal Bid Items - Pages 96-98 of 99
- (4) Omit Proposal Pages 41-58, 63-64, 67, 75-77, 81 & 99

Proposal revisions are available at
<http://transportation.ky.gov/Construction-Procurement/>.

The Updated Plan Set is Posted in Project Related Information

If you have any questions, please contact us at 502-564-3500.

Sincerely,

Rachel Mills,

A handwritten signature in black ink that reads "Rachel Mills".

Rachel Mills, P.E.
Director
Division of Construction Procurement

RM:mr
Enclosures

ADMINISTRATIVE DISTRICT - 12

CONTRACT ID - 237004

121GR23M030 (FD51)

COUNTY - KNOTT

PCN - MB06011082301

FD51 060 1108 C00022N 00.52

HOLLYBUSH ROAD (CR 1108) BRIDGE 060C00022N OVER HOLLYBUSH CREEK AT MP 00.52BRIDGE REPLACEMENT

GEOGRAPHIC COORDINATES LATITUDE 37:20:46.00 LONGITUDE 82:51:29.00

ADT

PCN - MB06015382301

FD51 060 1538 060C001 00.03

DOVE CROSS LANE (CR 1538) BRIDGE 060C001 OVER CARR FORK AT MP 00.03BRIDGE REPLACEMENT

GEOGRAPHIC COORDINATES LATITUDE 37:16:30.00 LONGITUDE 82:53:49.00

ADT

COMPLETION DATE(S):

COMPLETED BY 10/01/2023

50 CALENDAR Days

50 CALENDAR Days

APPLIES TO ENTIRE CONTRACT

APPLIES TO 060C00022N

APPLIES TO 060C001

SPECIAL NOTE FOR PILE STRIKE ALTERNATE
Applies to Dove Cross Lane (CR 1538) over Carr Fork

As an alternate to striking the pile with a hammer once placed inside a pre-drilled hole, the contractor may include shear resisting devices on the pile as shown in Figure 1 below. Place pile in hole and use an excavator to apply full hydraulic load to the top of pile before filling hole with concrete. The cost of all labor and materials is incidental to Pre-drilling Piles.

Notes:

1. Alternate was designed for 125% of the pile design axial load. Required number of threaded rods is provided in Table 1. The piles on this project have a maximum pile design axial load of 90 tons.
2. Use ASTM F1554 Grade 36 threaded rods with a minimum tensile strength of 58 ksi.
3. The minimum depth of the rock socket shall be as shown in plans.
Regardless of plan notes concrete shall be placed in each rock socket. The minimum depth of the concrete backfill shall be 9" above the top threaded rod or as shown in the plans whichever is higher.
Concrete to be Class A or B.
4. Pile points are not required.
5. Provide an excavator with sufficient capacity and reach to lift and place piles without contacting the ground or sides of the boring and to pull casing as the hole is being backfilled.
6. Contractor is to ensure hole is cleaned during and after excavation. The portion of the predrilled bore hole above the rock socket shall be excavated using casing to prevent collapsing. The rock socket shall be visually inspected. The bottom of the hole shall be visible to the Inspector by normal means from the surface elevation. If not adequately cleared of debris or water the contractor may be required to clean out the holes using a vacuum excavator and/or a pump. After the pile and concrete are placed the casing shall be backfilled with sand or pea gravel. Remove the casing as the hole above the rock socket is backfilled.
7. Measure final excavation depths with a weighted tape or other approved methods after final cleaning. Ensure the base of the excavation has less than 1/2" of sediment at the time of pile and concrete placement. Do not allow the depth of the water to exceed 3" during concrete placement.

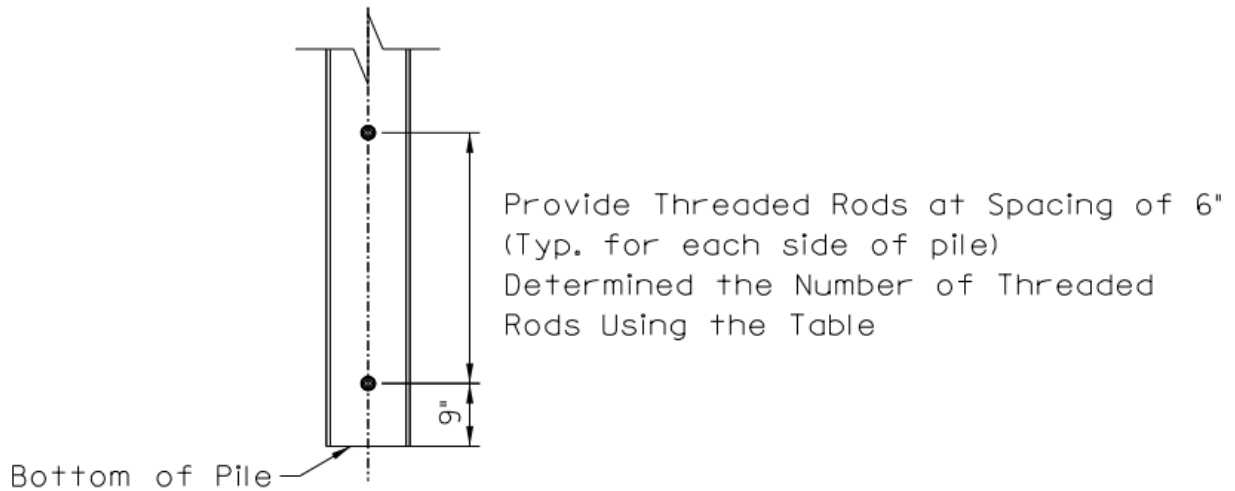
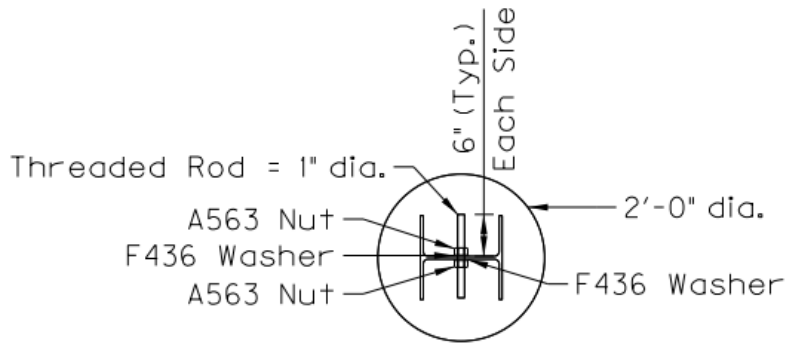


Figure 1: Threaded rod detail

Table 1: Number of threaded rods required based on pile design load

NUMBER OF THREADED RODS								
PILE DESIGN LOAD (TONS)	60	70	80	90	100	110	120	135
Grade 36 (fu = 58 ksi)	5	6	7	7	8	9	9	10
Grade 55 (fu = 75 ksi)	4	5	5	6	6	7	7	8
Grade 105 (fu = 125 ksi)	3	3	3	4	4	4	5	5

PROPOSAL BID ITEMS

237004

Page 1 of 3

Report Date 3/20/23

Section: 0001 - PAVING - 060C00022N

LINE	BID CODE	ALT	DESCRIPTION	QUANTITY	UNIT	UNIT PRIC	FP	AMOUNT
0010	00001		DGA BASE	348.00	TON		\$	
0020	00020		TRAFFIC BOUND BASE	50.00	TON		\$	
0030	00078		CRUSHED AGGREGATE SIZE NO 2	97.00	TON		\$	
0040	00212		CL2 ASPH BASE 1.00D PG64-22	247.00	TON		\$	
0050	00301		CL2 ASPH SURF 0.38D PG64-22	29.00	TON		\$	
0060	24970EC		ASPHALT MATERIAL FOR TACK NON-TRACKING	.60	TON		\$	

Section: 0002 - PAVING - 060C001

LINE	BID CODE	ALT	DESCRIPTION	QUANTITY	UNIT	UNIT PRIC	FP	AMOUNT
0070	00001		DGA BASE	17.00	TON		\$	
0080	00103		ASPHALT SEAL COAT	1.00	TON		\$	
0090	00212		CL2 ASPH BASE 1.00D PG64-22	16.27	TON		\$	
0100	00301		CL2 ASPH SURF 0.38D PG64-22	2.50	TON		\$	
0110	24970EC		ASPHALT MATERIAL FOR TACK NON-TRACKING	1.00	TON		\$	

Section: 0004 - ROADWAY - 060C00022N

LINE	BID CODE	ALT	DESCRIPTION	QUANTITY	UNIT	UNIT PRIC	FP	AMOUNT
0180	01987		DELINEATOR FOR GUARDRAIL BI DIRECTIONAL WHITE	5.00	EACH		\$	
0190	02014		BARRICADE-TYPE III	2.00	EACH		\$	
0200	02159		TEMP DITCH	144.00	LF		\$	
0210	02160		CLEAN TEMP DITCH	72.00	LF		\$	
0220	02200		ROADWAY EXCAVATION	161.00	CUYD		\$	
0230	02242		WATER	100.00	MGAL		\$	
0240	02360		GUARDRAIL TERMINAL SECTION NO 1	2.00	EACH		\$	
0250	02371		GUARDRAIL END TREATMENT TYPE 7	2.00	EACH		\$	
0260	02484		CHANNEL LINING CLASS III	630.00	TON		\$	
0270	02545		CLEARING AND GRUBBING (C060022N)	1.00	LS		\$	
0280	02562		TEMPORARY SIGNS	300.00	SQFT		\$	
0290	02565		OBJECT MARKER TYPE 2	4.00	EACH		\$	
0300	02585		EDGE KEY	27.00	LF		\$	
0310	02603		FABRIC-GEOTEXTILE CLASS 2	225.00	SQYD		\$	
0320	02650		MAINTAIN & CONTROL TRAFFIC (C060022N)	1.00	LS		\$	
0330	02651		DIVERSIONS (BY-PASS DETOURS) (C060022N)	1.00	LS		\$	
0340	02671		PORTABLE CHANGEABLE MESSAGE SIGN	2.00	EACH		\$	
0350	02701		TEMP SILT FENCE	576.00	LF		\$	
0360	02703		SILT TRAP TYPE A	1.00	EACH		\$	
0370	02704		SILT TRAP TYPE B	1.00	EACH		\$	
0380	02706		CLEAN SILT TRAP TYPE A	1.00	EACH		\$	

PROPOSAL BID ITEMS

237004

Page 2 of 3

Report Date 3/20/23

LINE	BID CODE	ALT	DESCRIPTION	QUANTITY	UNIT	UNIT PRIC	FP	AMOUNT
0390	02707		CLEAN SILT TRAP TYPE B	1.00	EACH		\$	
0400	02726		STAKING (C060022N)	1.00	LS		\$	
0410	02731		REMOVE STRUCTURE (C060022N)	1.00	LS		\$	
0420	03171		CONCRETE BARRIER WALL TYPE 9T	60.00	LF		\$	
0430	04933		TEMP SIGNAL 2 PHASE	2.00	EACH		\$	
0440	05950		EROSION CONTROL BLANKET	2,100.00	SQYD		\$	
0450	05952		TEMP MULCH	1,400.00	SQYD		\$	
0460	05953		TEMP SEEDING AND PROTECTION	1,050.00	SQYD		\$	
0470	05963		INITIAL FERTILIZER	.30	TON		\$	
0480	05964		MAINTENANCE FERTILIZER	.20	TON		\$	
0490	05985		SEEDING AND PROTECTION	2,100.00	SQYD		\$	
0500	05992		AGRICULTURAL LIMESTONE	1.00	TON		\$	
0510	06510		PAVE STRIPING-TEMP PAINT-4 IN	612.00	LF		\$	
0520	06514		PAVE STRIPING-PERM PAINT-4 IN	576.00	LF		\$	
0530	06587		PAVEMENT MARKER TY IVA-BW TEMP	20.00	EACH		\$	
0540	08901		CRASH CUSHION TY VI CLASS BT TL2	1.00	EACH		\$	
0550	20430ED		SAW CUT	27.00	LF		\$	
0560	21802EN		G/R STEEL W BEAM-S FACE (7 FT POST)	250.00	LF		\$	
0570	23265ES717		PAVE MARK TY 1 TAPE STOP BAR-24 IN	24.00	LF		\$	

Section: 0005 - ROADWAY - 060C001

LINE	BID CODE	ALT	DESCRIPTION	QUANTITY	UNIT	UNIT PRIC	FP	AMOUNT
0580	02014		BARRICADE-TYPE III	2.00	EACH		\$	
0590	02200		ROADWAY EXCAVATION	20.00	CUYD		\$	
0600	02242		WATER	10.00	MGAL		\$	
0610	02545		CLEARING AND GRUBBING (C060001)	1.00	LS		\$	
0620	02585		EDGE KEY	19.00	LF		\$	
0630	02650		MAINTAIN & CONTROL TRAFFIC (C060001)	1.00	LS		\$	
0640	02726		STAKING (C060001)	1.00	LS		\$	
0650	02731		REMOVE STRUCTURE EXISTING BRIDGE (C060001)	1.00	LS		\$	
0660	02731		REMOVE STRUCTURE EXISTING DIVERSION - (C060001)	1.00	LS		\$	
0670	05992		AGRICULTURAL LIMESTONE	1.00	TON		\$	
0680	21415ND		EROSION CONTROL (C060001)	1.00	LS		\$	
0690	22581EN		ENTRANCE PIPE-36 IN (ADDED 1-23-2023)	40.00	LF		\$	

Section: 0007 - BRIDGE - 060C00022N

LINE	BID CODE	ALT	DESCRIPTION	QUANTITY	UNIT	UNIT PRIC	FP	AMOUNT
0810	02231		STRUCTURE GRANULAR BACKFILL	186.40	CUYD		\$	

PROPOSAL BID ITEMS

237004

Page 3 of 3

Report Date 3/20/23

LINE	BID CODE	ALT	DESCRIPTION	QUANTITY	UNIT	UNIT PRIC	FP	AMOUNT
0820	03299		ARMORED EDGE FOR CONCRETE	28.00	LF		\$	
0830	08003		FOUNDATION PREPARATION (C060022N)	1.00	LS		\$	
0840	08033		TEST PILES	38.00	LF		\$	
0850	08039		PRE-DRILLING FOR PILES	50.00	LF		\$	
0860	08046		PILES-STEEL HP12X53	152.00	LF		\$	
0870	08100		CONCRETE-CLASS A	76.70	CUYD		\$	
0880	08104		CONCRETE-CLASS AA	30.70	CUYD		\$	
0890	08150		STEEL REINFORCEMENT	6,172.00	LB		\$	
0900	08151		STEEL REINFORCEMENT-EPOXY COATED	5,212.00	LB		\$	
0910	08160		STRUCTURAL STEEL (C060022N)	1.00	LS		\$	
0920	23378EC		CONCRETE SEALING	2,022.00	SQFT		\$	
0930	23539EC		BRIDGE RAIL	70.00	LF		\$	

Section: 0008 - BRIDGE - 060C001

LINE	BID CODE	ALT	DESCRIPTION	QUANTITY	UNIT	UNIT PRIC	FP	AMOUNT
0940	03299		ARMORED EDGE FOR CONCRETE	24.00	LF		\$	
0950	08003		FOUNDATION PREPARATION (C060001)	1.00	LS		\$	
0960	08019		CYCLOPEAN STONE RIP RAP	95.00	TON		\$	
0970	08033		TEST PILES	50.00	LF		\$	
0980	08039		PRE-DRILLING FOR PILES	90.80	LF		\$	
0990	08051		PILES-STEEL HP14X89	99.80	LF		\$	
1000	08100		CONCRETE-CLASS A	56.80	CUYD		\$	
1010	08104		CONCRETE-CLASS AA	13.30	CUYD		\$	
1020	08151		STEEL REINFORCEMENT-EPOXY COATED	6,147.00	LB		\$	
1030	08663		PRECAST PC BOX BEAM CB21-48	168.00	LF		\$	
1040	23378EC		CONCRETE SEALING	1,826.00	SQFT		\$	

Section: 0010 - DEMOBILIZATION

LINE	BID CODE	ALT	DESCRIPTION	QUANTITY	UNIT	UNIT PRIC	FP	AMOUNT
1200	02569		DEMOBILIZATION	1.00	LS		\$	